

installation instructions:

AMERICRAFT CROWN MOULDING

+ COUPLERS AND CORNERS

SAFETY INSTRUCTIONS

Make sure to use the correct tools recommended.

Wear proper protective gear.

Follow fixture, power tools, and paint manufacturers' instructions and users manuals.

Use common sense and follow good construction practices.

TOOL & MATERIAL CHECKLIST

- Loctite Power Grab Adhesive
- Brad Nails
- Miter Saw
- Stain or paint
- Pencil

IMPORTANT INFO

- Crown moulding is a widely used architectural element, and installation practices, techniques, and methods may vary. Installation instructions are intended to be general in nature and additional information may be resourced at customer's/installer's discretion.
- For paint grade moulding, caulking, putty, or other filler of choice may be used to hide imperfections. For stain grade mouldings, increase precision to avoid use of any fillers.
- Acclimate moulding in room 2 to 3 days prior to installation.
- Clean installation surface and back of moulding of all dirt and dust with a clean cloth or sponge. Ensure that the surface and the back of the moulding are completely dry prior to installation.
- Moulding ends may be distorted and should be trimmed 1/8" on both sides prior to install if butting against another moulding end.

INSTALL INSTRUCTIONS:

Crown Moulding Installation

1. Measure room to determine layout and lengths of moulding needed for each location.
2. Using a miter saw, cut moulding to desired length.
NOTE: If not using a universal corner, use miter saw to cut end of molding to the necessary angle on all corners.
3. Apply Loctite Power Grab adhesive to the back of the moulding on all contact surfaces.
4. Firmly place and press the moulding against the wall and ceiling (Diagram A).
5. Use a brad nailer to secure the molding to the wall and ceiling.
NOTE: Nail holes on stain grade molding should not be caulked. Use of brad nails is at customer's/installer's discretion.
6. If using a coupler or universal corner, apply a bead of Loctite Power Grab adhesive to the end of the molding in contact with the coupler or corner.

Coupler and Universal Corner Installation

1. Apply a bead of Loctite Power Grab construction adhesive to the back of the corner or coupler (Diagram B).
2. For couplers, mark the location of the coupler on the wall and ceiling.
3. Place the coupler or the universal corner on the desired install location and firmly press into place.
4. Use a brad nailer to secure the universal corner or coupler to the wall and ceiling.
NOTE: Nail holes on stain grade molding should not be caulked. Use of brad nails is at customer discretion.

EXAMPLE DIAGRAM:

DIAGRAM A

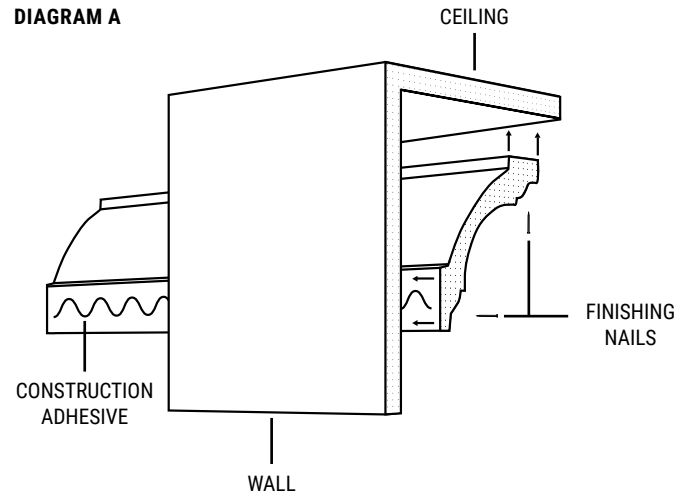
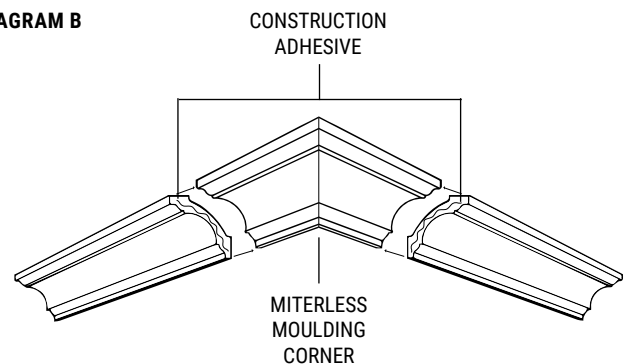


DIAGRAM B



Industry leading manufacturer of urethane, PVC, wood, rustic, and metal millwork

We Can Help. Call (866) 607-0453

www.ekenamillwork.com